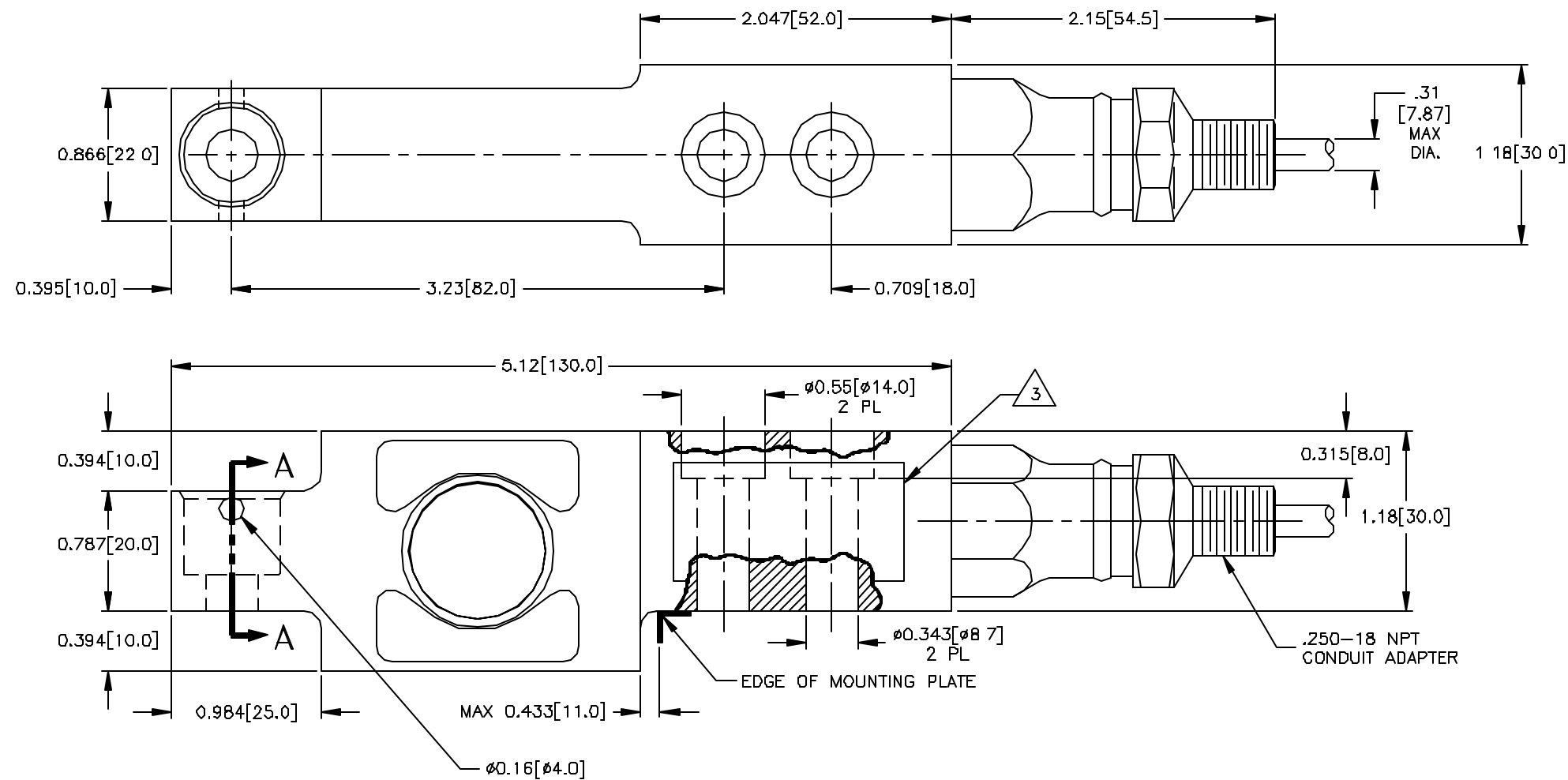


REV.	ECD/DDC	DESCRIPTION	DATE	DRAFT	CHECK	APV'D
A	08107	RELEASED	07-09-01	L.B.O.	S.N.	V.J.C.



9. MOUNTING BOLTS .312-24UNF [M8 8.8] TORQUE 18.4 FT LBS [25 Nm].
8. TOLERANCES: ±0.010 [0.25] UNLESS OTHERWISE STATED.
7. THIS DRAWING IS SUBJECT TO CHANGE WITHOUT NOTICE.
6. CABLE IS 6 CONDUCTOR, SHIELDED AND 10 FT. IN LENGTH CABLE SHIELD IS FLOATING.
5. C2 WIRE COLOR CODE FLAG LABEL, PN 0530-0594, IS FOUND APPROX. 10 IN. FROM END OF CABLE.
 

EXCITATION +	RED
EXCITATION -	BLACK
SIGNAL +	GREEN
SIGNAL -	WHITE
C2 +	GRAY
C2 -	VIOLET
SHIELD	YELLOW
4. CABLE WIRE ENDS ARE STRIPPED BACK 0.5 IN. AND TINNED. CABLE JACKET IS STRIPPED BACK APPROX. 5 IN.
3. LOCATION OF SERIAL NUMBER LABEL, PN 0530-0345-XX.
2. MATERIAL, LOAD SENSOR- STAINLESS STEEL 17-4PH (1.4548), FITTINGS- ELECTRO POLISHED STAINLESS STEEL 316.
1. RATED OUTPUT: 2mV/V ±0.002.

CAPACITY LBS [kg]	MODEL NUMBER	PART NUMBER
44 [20]	HI BBH06-44	0554-0009-01
110 [50]	HI BBH06-110	0554-0009-02

CAPACITY LBS [kg]	MODEL NUMBER	PART NUMBER
225 [1]	HI BBH06-225	0554-0009-03
450 [2]	HI BBH06-450	0554-0009-04

NOTES: UNLESS OTHERWISE SPECIFIED

**PROPRIETARY NOTICE**  
 ALL DATA AND INFORMATION CONTAINED IN OR DISCLOSED BY THIS DOCUMENT IS CONFIDENTIAL AND PROPRIETARY INFORMATION OF HARDY INSTRUMENTS INC. AND ALL RIGHTS THEREIN ARE EXPRESSLY RESERVED. BY ACCEPTING THIS MATERIAL THE RECIPIENT AGREES THAT THIS MATERIAL AND THE INFORMATION CONTAINED THEREIN IS HELD IN CONFIDENCE AND IN TRUST AND SHALL NOT BE USED, COPIED, REPRODUCED IN WHOLE OR IN PART, NOR ITS CONTENTS REVEALED IN ANY MANNER TO OTHERS, EXCEPT TO MEET THE SPECIFIC PURPOSE FOR WHICH IT WAS DELIVERED.

ITEM	QTY	PART NUMBER	DESCRIPTION	COMMENTS	
0588-0083 OUTLINE DRAWING, LOAD SENSOR, HI BBH06 SERIES					
PARTS LIST					
UNLESS OTHERWISE SPECIFIED DIMENSIONS ARE IN INCHES TOLERANCES ARE: FRACTIONS: N/A DECIMALS: .XX AND .XXX = ± 0.10 ANGLES: N/A			CONTRACT NO.		
MATERIAL			APPROVALS		
FINISH			DRAWN R. BILEK DATE 08-11-99		
DO NOT SCALE DRAWING			CHECKED L. OFTEDAHL DATE 09-02-99		
			APPROVED T. KOPCZYNSKI DATE 08-23-99		
			ISSUED K. McNULTY DATE 08-23-99		
			PRODUCTION DATE		
<b>HARDY INSTRUMENTS</b>		TITLE OUTLINE DRAWING, LOAD SENSOR, HI BBH06 SERIES			
SIZE	FSCM	DRAWING NO	REV.		
D	21316	0588-0083	A		
FILE NAME		SCALE	SHEET 1 OF 1		
588083A1.DWG		NONE			